



T811-CM Access Point Pole Mount Bracket Quick Setup Guide

This *Quick Setup Guide* provides step-by-step instructions on how to install the Ruckus T811-CM Cable Modem Access Point using the T811-CM Pole Mount Bracket Kit (Ruckus Part #902-0130-0000).

For detailed information on installation, setup and operation of the T811-CM, refer to the *Ruckus T811-CM Cable Modem Access Point Installation Guide*, available at <https://support.ruckuswireless.com>.

Package Contents

A complete T811-CM Pole Mount Bracket kit includes all of the following:

- T811-CM Pole Mount Bracket (includes linkage bracket, knuckle bracket, base bracket, plate adapter)
- Mounting hardware kit, includes:
 - 4 stainless steel 3/4" bolts
 - 4 flat washers
 - 4 hex nuts
 - 4 split lock washers
 - 2 1.25" stainless steel carriage bolts
 - 2 3/8" hex nuts
 - 2 3/8" lock washers
 - 2 3/8" flat washers
 - 2 M16 bolts
 - 2 M16 flat washers
 - 2 M16 lock washers
- This *Quick Setup Guide*

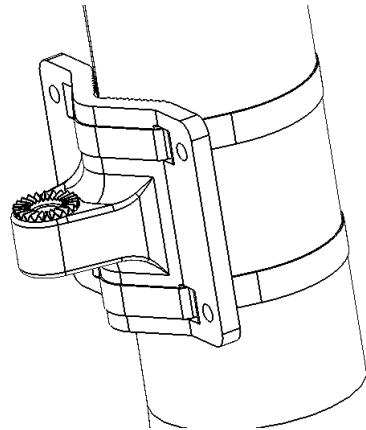
Required Hardware and Tools

- 1/2" (13mm) flat-blade screwdriver or equivalent
- No. 2 Phillips screwdriver
- Torque wrench or torque screwdriver with sockets
- Pipe or pole

Attach the Base Bracket to the Pole

1. Attach the base bracket to the pole using two customer-supplied pole clamps, as shown in the Figure below.
2. Tighten the clamps to 3 N.m or 27 in-lbs, or per manufacturer's specifications.

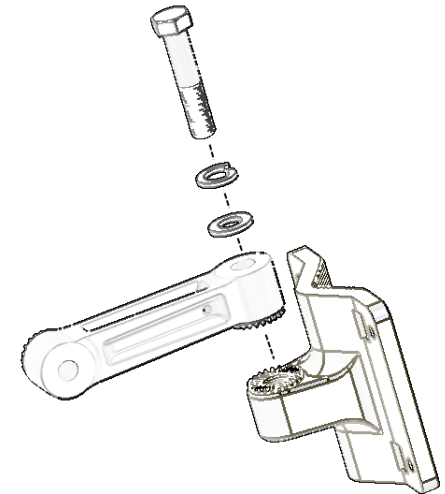
FIGURE 1 Attach the base bracket to the pole



Attach the Linkage Bracket to the Base Bracket

1. Place the linkage bracket on the base bracket, and insert the M16 bolt, lock washer and flat washer as shown in the Figure below.
2. Tighten to (**torque**).

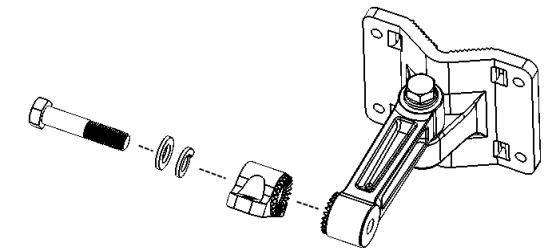
FIGURE 2 Attaching the Linkage Bracket to the Base Bracket



Attach the Knuckle Bracket to the Linkage Bracket

1. Attach the knuckle bracket to the linkage bracket using the M16 bolt, split lock washer and flat washer as shown in the Figure below.
2. Tighten to (**torque**).

FIGURE 3 Attach the knuckle bracket to the linkage bracket



Attach the Adapter Plate to the AP

1. Attach the adapter plate to the bottom panel of the T811-CM using the four stainless steel carriage bolts and hex nuts as shown in the Figure below.
2. Tighten to (**torque**).

FIGURE 4 Attach the adapter plate to the AP

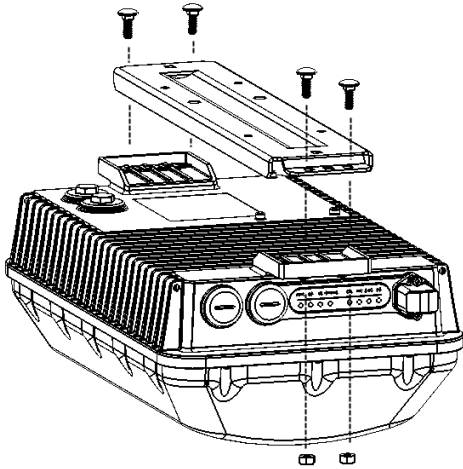
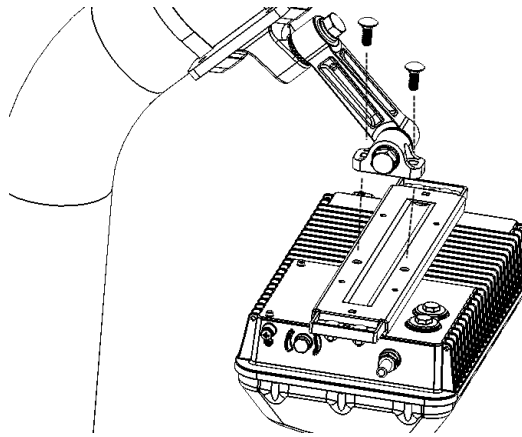


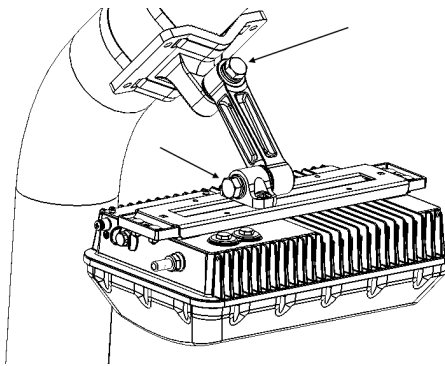
FIGURE 5 Attach the knuckle bracket to the adapter plate



Adjust the Azimuth and Elevation

Adjust the azimuth and elevation to your desired orientation by loosening the M16 bolts, rotating the AP-bracket assembly, and then tightening the bolts to (**torque**).

FIGURE 6 Loosen bolts to adjust the orientation of the AP



For More Information

For information on how to configure and manage the AP, refer to the *Ruckus Access Point User Guide*, available from <https://support.ruckuswireless.com>.

ARRIS, the ARRIS logo, Ruckus, Ruckus Wireless, the Ruckus logo, and the Big Dog design are trademarks of ARRIS International plc and/or its affiliates. All other trademarks are the property of their respective owners.