



M510 Access Point Flange Mount Bracket Quick Setup Guide

This Quick Setup Guide provides step-by-step instructions on how to install the Ruckus Wireless M510 access point (AP) using the Flange Mount Bracket Kit (Ruckus Part #902-1122-0000).

For detailed information on installation, setup and operating the M510, refer to the *Ruckus Wireless Access Point User Guide*, available at <https://support.ruckuswireless.com>.

This Guide in Other Languages

- 请从以下网站获得该指南的简体中文版 <https://support.ruckuswireless.com>.
- Vous trouverez la version française de ce guide à l'adresse suivante <https://support.ruckuswireless.com>.
- このガイドの日本語版は <https://support.ruckuswireless.com> でご覧ください。
- 이 가이드의 한국어 버전은 웹 사이트 (<https://support.ruckuswireless.com>) 에서 확인하시기 바랍니다.
- Veja a versão em português (Brasil) deste guia em <https://support.ruckuswireless.com>.
- Puede ver la versión en español (América Latina) de esta guía en <https://support.ruckuswireless.com>.

Before You Begin

Before deploying Ruckus Wireless products, please check for the latest software and the release documentation.

- Release Notes and other user documentation are available at <http://support.ruckuswireless.com/documents>.
- Software upgrades are available at <http://support.ruckuswireless.com/software>.
- Open source information is available at <http://opensource.ruckuswireless.com>.
- Software license and limited warranty information are available at <http://support.ruckuswireless.com/warranty>.

Before deploying your Ruckus Wireless Access Point, verify that all items listed in *Package Contents* are included in the package. If any item is damaged or missing, notify your authorized Ruckus Wireless sales representative. Also, make sure that you have the required hardware and tools.

Package Contents

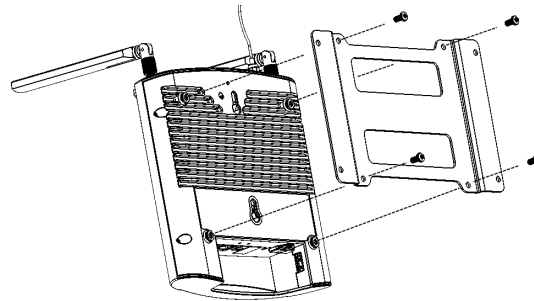
A complete M510 Flange Mount Bracket kit includes all the following:

- M510 Flange Mount Bracket
- 4 M4 x 8 mm Phillips screws with split/lock washers
- Wall mount kit (includes 4 #8 x 1" Phillips screws and 4 plastic wall anchors)
- This *Quick Setup Guide*

Using the M510 Flange Mount Bracket

1. Remove the four rubber feet from the bottom of the AP.
2. Attach the mounting bracket to the AP using the screws and flat/lock washers included in the bracket kit.

FIGURE 1 Attach the bracket to the AP



3. Mount the bracket to the mounting surface using either the included screws and plastic wall anchors, or use customer-supplied hardware appropriate for specific installation scenarios.

If using the included wall mount hardware, drill holes approximately 25mm (1") deep into the mounting surface using a 4.75mm (3/16") drill bit, and insert plastic wall anchors.

For More Information

For information on how to configure and manage the AP, refer to the *Ruckus Access Point User Guide*, available from <https://support.ruckuswireless.com>.

© 2018 ARRIS Enterprises LLC. All rights reserved.

ARRIS, the ARRIS logo, Ruckus, Ruckus Wireless, the Ruckus logo, and the Big Dog design are trademarks of ARRIS International plc and/or its affiliates. All other trademarks are the property of their respective owners.